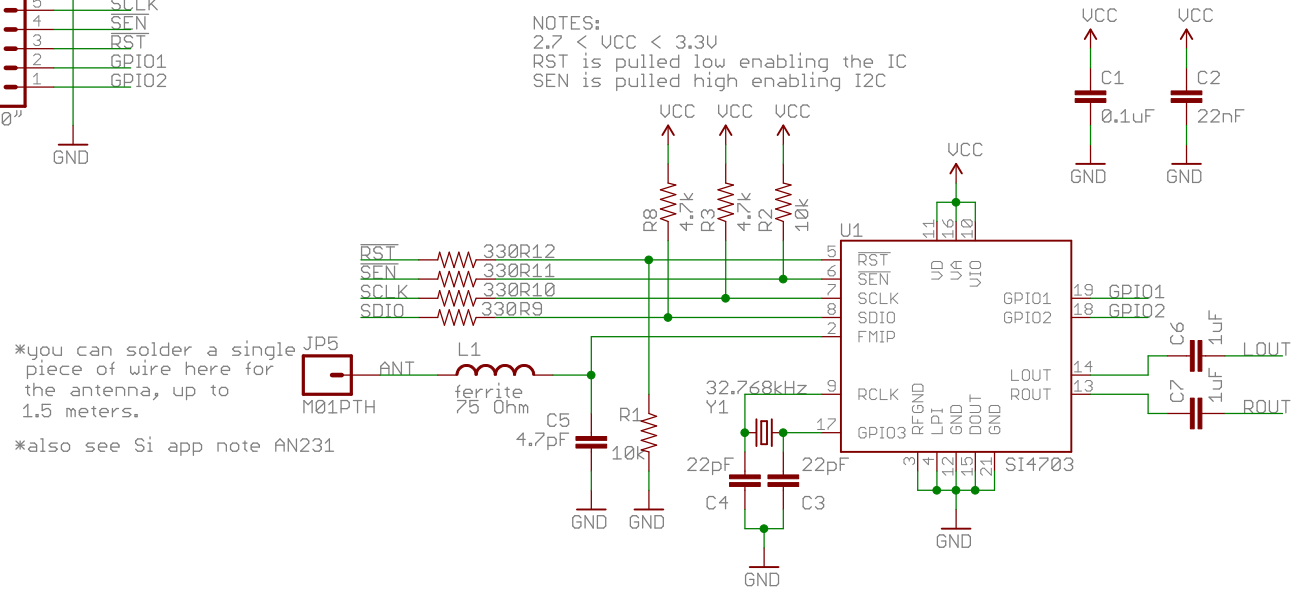


NOTES:
 $2.7 < UCC < 3.3V$
 RST is pulled low enabling the IC
 SEN is pulled high enabling I2C



*you can solder a single piece of wire here for the antenna, up to 1.5 meters.

*also see Si app note AN231



Released under the Creative Commons Attribution Share-Alike 3.0 License
<http://creativecommons.org/licenses/by-sa/3.0>
 Design by: A. Weiss

⊗		
⊗		
TITLE: Si470x-breakout-v13	SFE	SFE
Document Number:	REV:	
Date: not saved!	Sheet: 1/1	